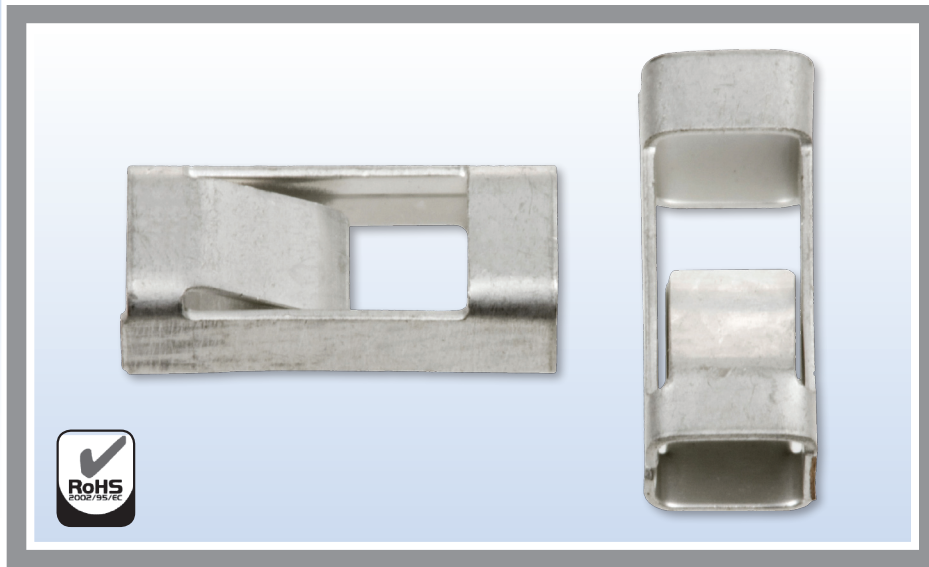


SMT Box Contact

E=Mark INC.

For Horizontal/Bottom Entry



New from E-Mark is a single, surface mount box contact capable of being oriented for either horizontal or bottom post entry. The contact will accept either .025" square posts or .032" round pins forming a gas tight connection which is durable for 12 or more mating cycles.

The phosphor bronze contact is fully RoHS compliant and finished with a matte tin over copper plating and has a current rating of 15A.

This contact is available as either a bulk packaged part or in tape & reel packaging for either horizontal or vertical placement.

Specifications

Plating: 150 μ " matte tin over 100 μ " copper

Current rating: 15A

Insertion/withdrawal force
(0.64 mm SQ Post): -12.0 N/5.0 N

Operating temperature:
-55°C to +85°C

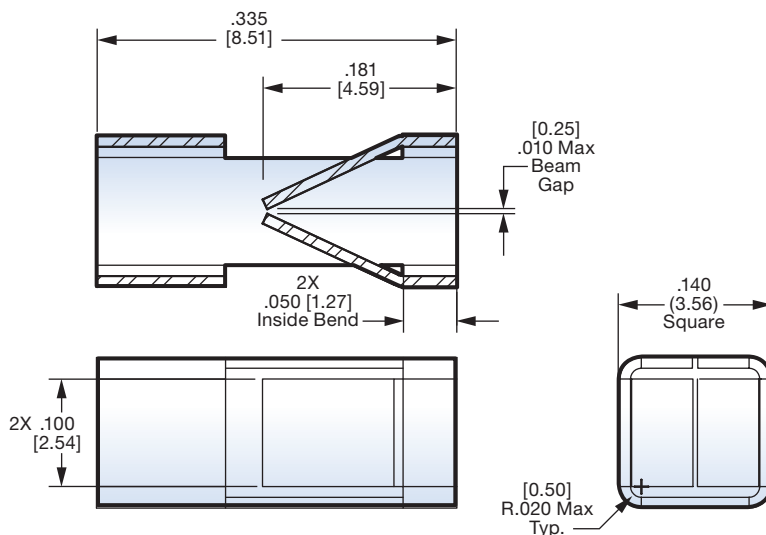
Mating Terminal Size:
.025" (0.64 mm) square post
.032" (0.81 mm) round pin

Material Thickness:
0.008" (0.20 mm) phosphor bronze

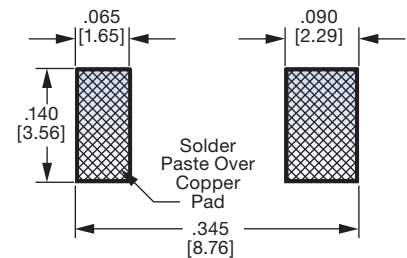
Ordering Information

| Part Number | Packaging | Orientation | Order Multiple |
|-------------|-----------|-------------|----------------|
| 89-1131 | Bulk | NA | 100 |
| 89-1133 | T&R | Vertical | 630 |
| 89-1134 | T&R | Horizontal | 2000 |

Dimensions



Solder Pad Layout - Horizontal Mounting



Solder Pad Layout - Vertical Mounting

